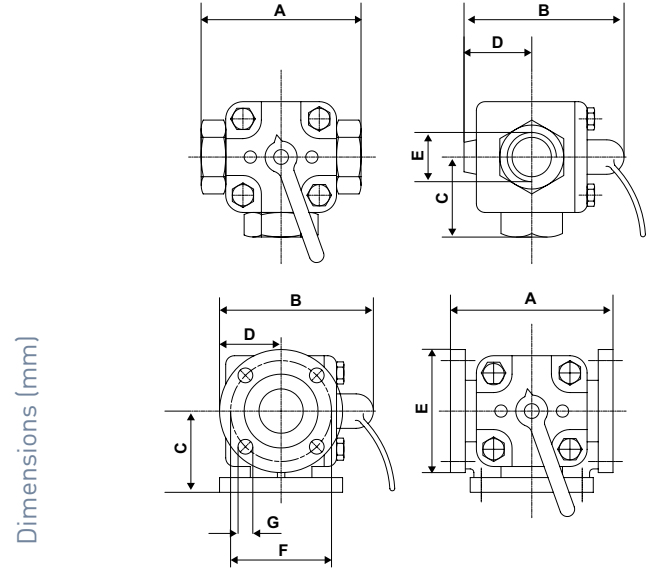


# ZC3

## 3-way sector mixing valves

3-way sector valve bodies for hot water heating installations. These valves can be installed as mixing valves and as deflection valves. Suitable for medium and large systems.



Connection	A	B	C	D	E	F	G
3/4"	110	105	55	26	25	-	-
1"	110	117	55	35	31	-	-
1 1/4"	130	126	63	37	40	-	-
1 1/2"	130	130	65	40	45	-	-
40 DN	180	155	90	65	130	100	14
50 DN	180	170	90	70	140	110	14
60 DN	200	185	100	80	160	130	14
80 DN	230	205	112	95	190	150	18
100 DN	260	225	130	105	210	170	18
125 DN	320	305	160	120	240	200	18
150 DN	350	340	175	132	265	225	18

	Kv m <sup>3</sup> /h	Connection	Connection type	Servocontrol to couple with	Unit weight Kg	Protection degree
ZC3M	10	G 3/4	female threaded PN6	024-034	1,95	IP40
ZC3A	15	G 1	female threaded PN6	024-034	2,50	IP40
ZC3B	25	G 1 1/4	female threaded PN6	024-034	3,47	IP40
ZC3C	40	G 1 1/2	female threaded PN6	024-034	3,67	IP40
ZC340	40	DN 40	flange PN6	024-034	6,17	IP40
ZC350	60	DN 50	flange PN6	024-034	8,15	IP40
ZC365	100	DN 65	flange PN6	024-034	11,23	IP40
ZC380	185	DN 80	flange PN6	024-034	18,40	IP40
ZC3100	300	DN 100	flange PN6	024	23,75	IP40
ZC3125	525	DN 125	flange PN6	035A (on request)	41,48	IP40
ZC3150	825	DN 150	flange PN6	035A (on request)	49,17	IP40

## OPERATION

The hot water which comes from the boiler is mixed with a part of water a bit colder which comes from the return pipeline of the system, the shaped rotor provides the dosing of the two streams in order that the temperature in the delivery pipeline to reach the value required by the control unit.

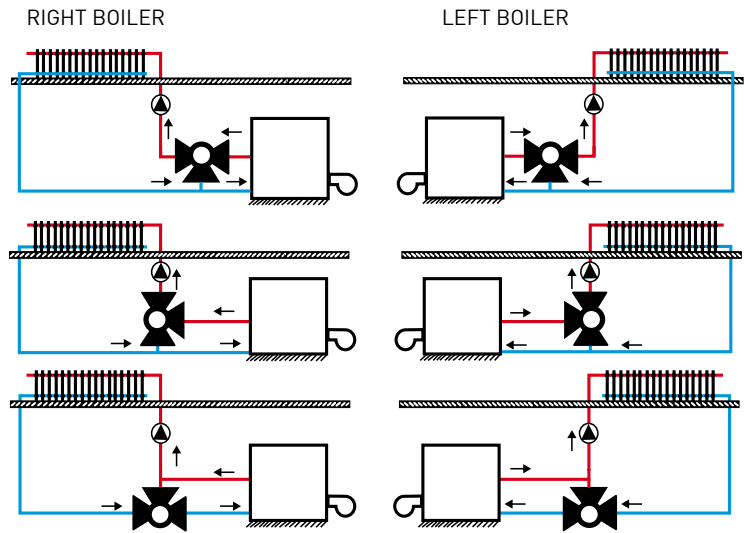
# INSTALLATION

These valves can be installed as mixing valves (constant flow rate, variable temperature), as well as deflection valves (variable flow rate, constant temperature) according to the installation requirements. Easy hydraulic connection.

Valve motorization is fast and easy executed with:

- O24 type servocontrol and T01D coupling group;
- O34A type servocontrol and T04E coupling group.

It is always possible to disconnect the servocontrol in order to operate the valve manually using T05A kit.



# FEATURES

- Cast iron valve body.
- Bronze rotating sector valve shaped to obtain a very precise regulation.
- 18/20 stainless steel shaft.
- Inner seal with viton O-rings 75 ÷ 280°C.
- Lever for manual control.
- Operating pressure PN6.
- Maximum operating temperature - 120°C.

# PARAMETERS DETERMINATION

