

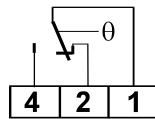


**AMBIENT THERMOSTATS WITH INTERNAL SETTING  
 SERIE C10..RIY (IP65 WATER PROOF EXECUTION)**

**GENERAL FEATURES**

- Control thermostats for industrial environments, refrigeration systems greenhouses, etc.
- Internal setting execution, remove the cover to set the temperature
- Liquid expansion operation
- Tin plated copper capillary with stainless steel membrane
- Enclosure in antishock thermoplastic material VO, protection degree IP65
- 1/2" cable gland entry
- Surface mounting: screws M4
- SPDT microswitch with AgCdo contacts

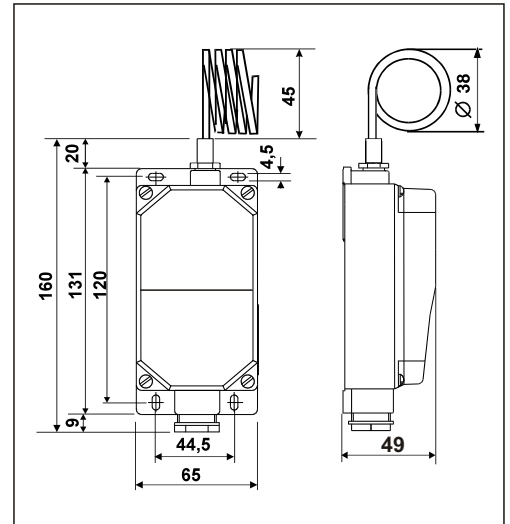
- According to CEI-EN 60947-5-1
- VDE certified
- Calibration tolerance  $\pm 2^{\circ}\text{C}$



Rising temperature:  
 opens 1-2 closes 1-4

Nominal insulation tension:	Ui 380V~		
Continuous duty nominal current	Ith 15A		
Operating nominal current Ie:	220V~ 250V~ 380v~		
Resistive load	AC-12	-	10A 10A
Inductive load	AC-15	-	2,5A 1,5A
Direct current	DC-13	0,2A	- -

We reserve the right to make modification without prior notice



TYPE	Range °C	Differential K	Body temp. °C
<b>C10ARIY</b>	0 to 60	2 ± 0,5	-35 T 80
<b>C10CRIY</b>	-35 to 20	2 ± 0,5	-35 T 80

Differential value must be deducted from set value  
 Values are referred to a temperature rise speed of 1K/min. for liquid and 4K/hour in air

5679136B

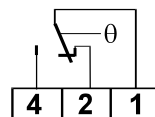


**AMBIENT THERMOSTATS WITH INTERNAL SETTING  
 SERIE C10..RIY (IP65 WATER PROOF EXECUTION)**

**GENERAL FEATURES**

- Control thermostats for industrial environments, refrigeration systems greenhouses, etc.
- Internal setting execution, remove the cover to set the temperature
- Liquid expansion operation
- Tin plated copper capillary with stainless steel membrane
- Enclosure in antishock thermoplastic material VO, protection degree IP65
- 1/2" cable gland entry
- Surface mounting: screws M4
- SPDT microswitch with AgCdo contacts

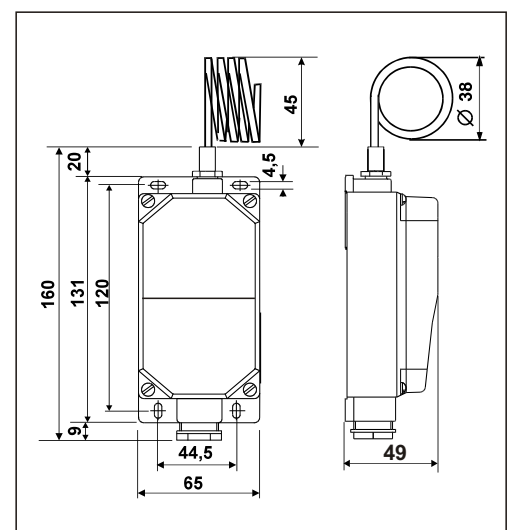
- According to CEI-EN 60947-5-1
- VDE certified
- Calibration tolerance  $\pm 2^{\circ}\text{C}$



Rising temperature:  
 opens 1-2 closes 1-4

Nominal insulation tension:	Ui 380V~		
Continuous duty nominal current	Ith 15A		
Operating nominal current Ie:	220V~ 250V~ 380v~		
Resistive load	AC-12	-	10A 10A
Inductive load	AC-15	-	2,5A 1,5A
Direct current	DC-13	0,2A	- -

We reserve the right to make modification without prior notice



TYPE	Range °C	Differential K	Body temp. °C
<b>C10ARIY</b>	0 to 60	2 ± 0,5	-35 T 80
<b>C10CRIY</b>	-35 to 20	2 ± 0,5	-35 T 80

Differential value must be deducted from set value  
 Values are referred to a temperature rise speed of 1K/min. for liquid and 4K/hour in air

5679136B